

MCM

Engineering Limited

Mechanical and Process Engineering Contractors

Company History

MCM Engineering Ltd. was set up in 1999 as provider of Mechanical Process piping installations, specialising in high quality piping systems

Since its foundation, MCM Engineering has developed as a service provider, increasing its resources and adapting to the changing needs of a growing economy. MCM have built upon a reputation as a high quality, reliable provider of welding, fabrication and installation services. Thus positioning themselves as one of the nation's most versatile service providers in the pharmaceutical, semiconductor, and construction industries. The underlining foundation that has led MCM Engineering to this success is its commitment to quality, its experienced and dedicated workforce and its continued investment for the future. MCM Engineering is Irish owned and managed, and today provides services including

- Mechanical Process Piping fabrication.**
- Mechanical Process Piping installation.**
- Structural Steel fabrication and installation.**

Mechanical Process Piping Installation & Fabrication

MCM Engineering offer a wide and varied range of services involving mechanical process piping installations. From our premises in Castlecomer, Co. Kilkenny, MCM Engineering can facilitate both turnkey projects and sub contracted packages. Services offered include:

- **Certified Fabrication & Welding of:**
 - Carbon steel,
 - Stainless steel 304, 304L, 316, 316L 321
 - Hastalloy

- **High Purity Fabrication & welding of:**
 - Stainless steel Scheduling 304L, 316L
 - Biobore

- **Weld NDT:**
 - X-raying, Boroscopying, Dye-pen.

- **QA compliance:**
 - Isometric Generation
 - Material Tracking
 - Weld Logging
 - Test pack generation
 - Handover Dossiers

- **System NDT:**
 - Hydrostatic testing

- **System Cleaning**
 - Passivation, Degreasing

- **Bracketing systems:**
 - Unistrut / Secondary Steel

Fabrication Workshop

MCM Engineering offers a wide and varied range of fabrication services. Strategically located in Castlecomer Co. Kilkenny, our fabrication workshop extends to 17,500 Sq Ft comprising,

- 1,000 Sq Ft - Office Area
- 10,000 Sq Ft – Carbon Steel Fabrication
- 7,500 Sq Ft – Stainless Steel Fabrication



Pipe Fabrication Services

MCM engineering offer piping fabrication services for a wide variety of systems including:

- **Drainage:**
 - Single Containment
 - Double Containment

- **Hazardous substances**
 - Corrosive substance systems
 - Corrosive exhaust systems

- **Bulk Gases**
 - High purity lines
 - High pressure systems

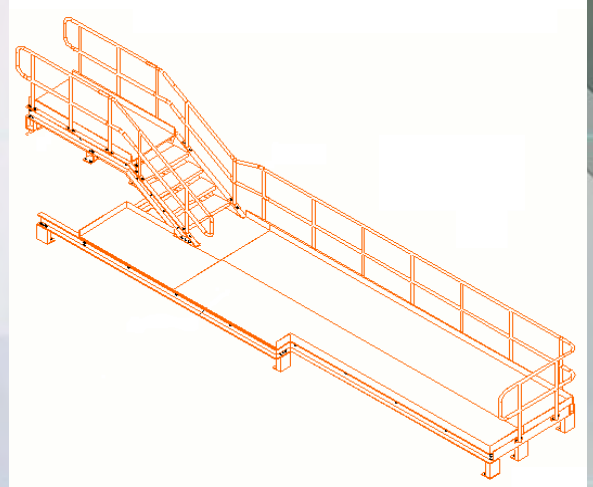
- **Utilities**
 - Boiler systems
 - HVAC

- **Process Systems:**
 - Process water systems
 - Purified water systems

- **Specialised Utilities:**
 - CIP / SIP systems
 - Filtration systems
 - WFI systems
 - Oil Free Air services
 - Gas / Fuel services

Structural Steel fabrication & installation

MCM Engineering offer a full range of structural steel fabrications. From our in-house design team we can design and fabricate small to medium sized projects. Our expertise allow us to cater for the fabrication of structural, secondary, and aesthetic steel including



- Primary structures
- Secondary support steel
- Handrailings
- Stairs
- Decorative features
- Safety

Our structural steel department can also facilitate:

- Steel erection
- Provision of galvanised steel
- Provision of Powder coating
- Provision of specified paint finishes
- Design fabrication and installation of Architectural features

ARCHITECTURAL STEELWORK



ARCHITECTURAL STEELWORK



ARCHITECTURAL STEELWORK



ARCHITECTURAL STEELWORK



• CARBON STEEL PIPEWORK •



• HIGH PURITY PIPEWORK •



• ORBITAL WELDING •



• STAINLESS STEEL PIPEWORK •



Contacts

MCM Engineering Limited
Unit 7 a Bagenalstown Business Park
Royal Oak
Bagenalstown
Co.Carlow

Phone: 059-9723894

Fax: 059-9723971

Email:

Catherine@mcmengineering.ie

Pat@mcmengineering.ie

Noel@mcmengineering.ie